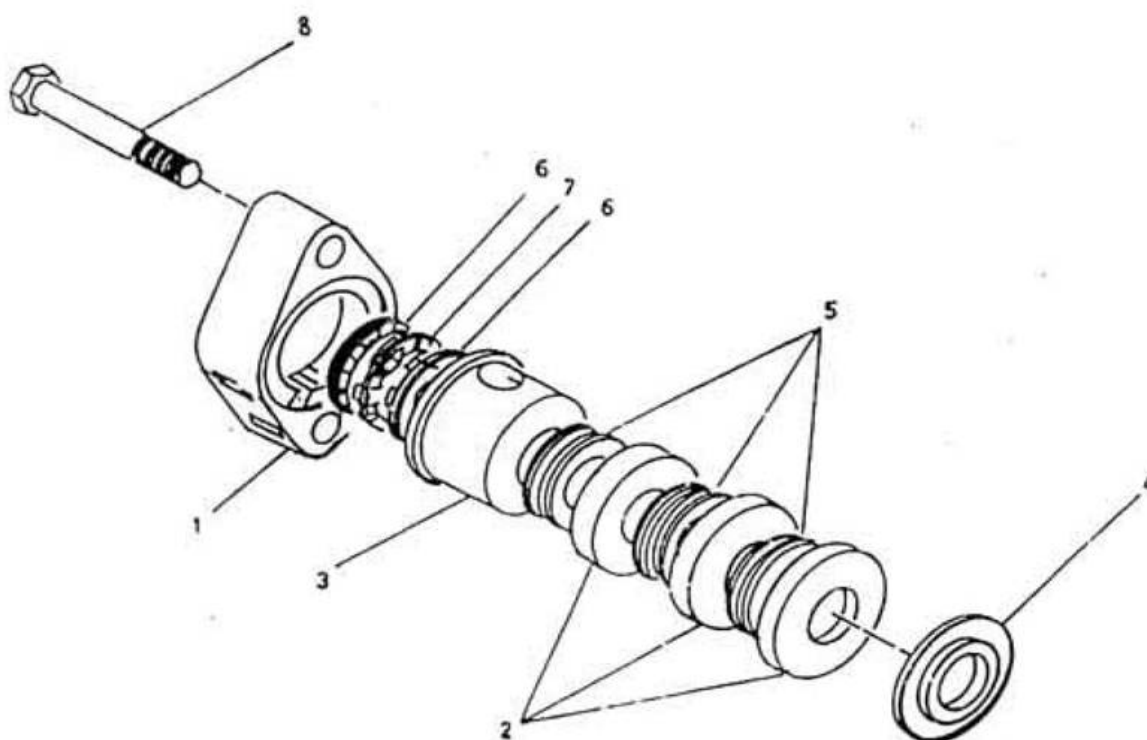


## 12. Assembly Packing Metallic - Model 7 x 5 LUB



All manufacturer's names, numbers, photos, product description and/or part numbers are used for reference purposes only & it is not implied that any part listed is the product of these manufacturers. Since Approvement are made from time to time, the illustration and specifications are subject to change without notice.

## 12. Assembly Packing Metallic - Model 7 x 5 LUB

COMPRESSOR PARTS LIST						
ASSEMBLY NAME : ASSEMBLY PACKING METALIC						
ASSEMBLY DRAWING : FIG-2A						
COMPRESSOR MODEL			7 X 5 LUB	QTY	ILLUS. NO.	RECOM. SPARES QTY
SUB ASSEMBLY NO.			7023 2707			
SR. NO.	DESCRIPTION	PART NO.				
1	FLANGE PACKING CASE	9448 6503	1	1		
2	CUP PACKING	9706 2996	3	2		
3	DISTANCE PIECE PACKING CASE	9706 3002	1	3		
4	GASKET PACKING CASE	3931 2962IM	1	4	1	
5	RING PACKING DOUBLE ACTING	9505 0696IM	3	5	3	
6	RING SCRAPPER	9500 9189IM	2	6	2	
7	RING SCRAPPER	9501 8487IM	1	7	1	
8	BOLT HEX HEAD 5/8" X 4-1/2"	9510 4527	2	8		

All manufacturer's names, numbers, photos, product description and/or part numbers are used for reference purposes only & it is not implied that any part listed is the product of these manufacturers. Since Approvement are made from time to time, the illustration and specifications are subject to change without notice.